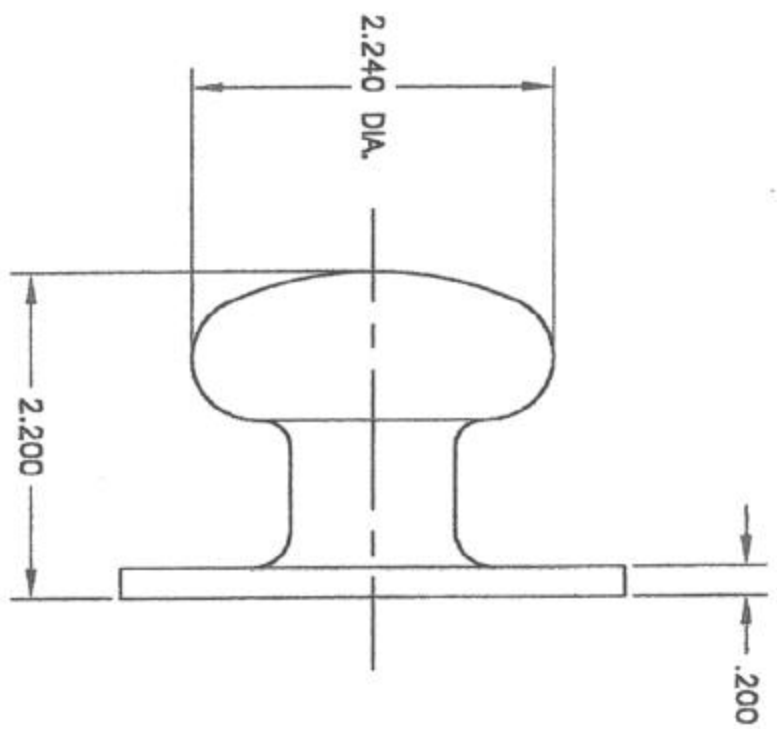
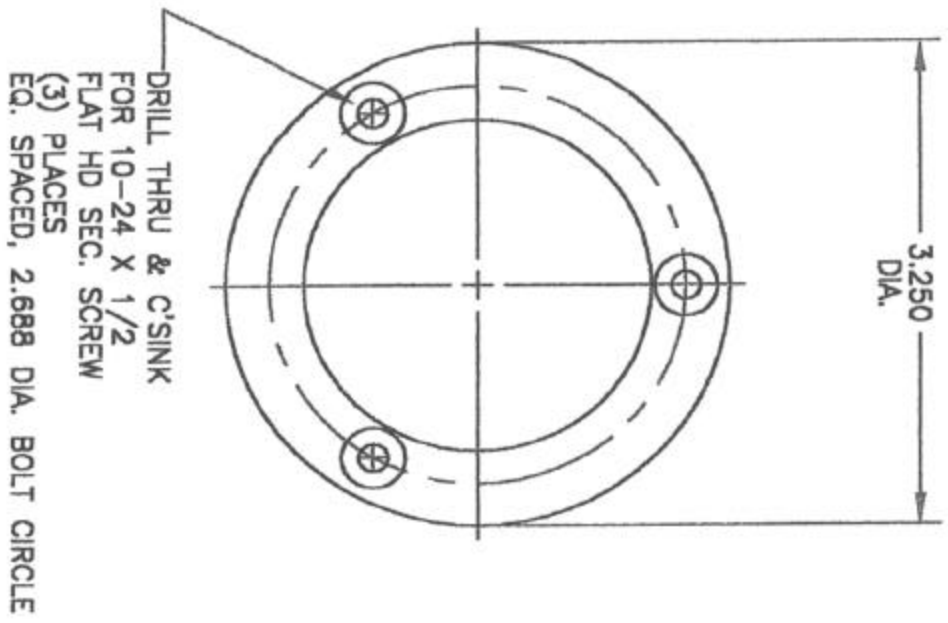


- NOTE:
1. DIMENSIONS ARE NOMINAL AND ARE IN INCHES.
 2. DOOR & FRAME MANUFACTURERS ARE RESPONSIBLE FOR PROVIDING ADEQUATE CONSTRUCTION AND REINFORCEMENT OF HARDWARE SHOWN.
 3. DIMENSIONS ARE SUBJECT TO CHANGE WITHOUT NOTICE.
- USE ONLY CURRENT, APPROVED TEMPLATING.



WEIZEL SECURITY
 TEMPLATE, 45-115-KP223 KNOB PULL
 DATE: 7/30/03